

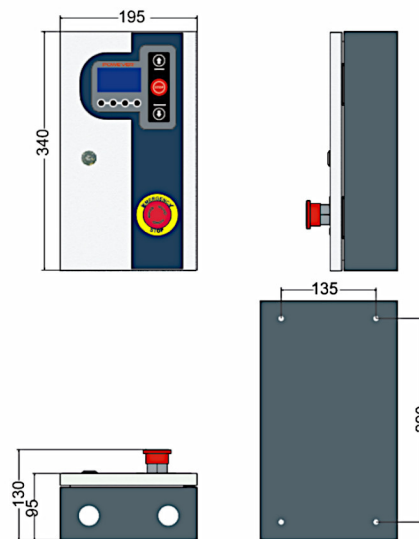
» OPERADOR INVERTER ENCODER INCL TAB 0.75K 220V MARCA POWEVER
MOD. A2-PE200/PE200B-SF, MOD. A2-PE500/PE500B-2F.

Specification for Controller

Model	PE200	PE500	
Enclosure material	SPCC		
Dimension(L*W*H)	340x195x95(125)(include E-STOP)		mm
Installation method	Vertical installation without vibration		
Power supply	1N~200-240		V
Power frequency	50/60		Hz
Rate output power	1.5		KW
External power supply	24		VDC
	0.4		A
Ambient temperature	-10 ~ +50		°C
Storage temperature	-25 ~ +55		°C
Ambient humidity	30%-85%, No condensation		
Place of use	Indoor, no direct sunlight, no dust, corrosive gas, oil mist, water vapor, etc.		
Weight(net)	3.0		Kg

Size

UNIT: mm



PE200/500 Controller



» OPERADOR INVERTER ENCODER INCL TAB 0.75K 220V MARCA POWEVER MOD. A2-PE200/PE200B-SF, MOD. A2-PE500/PE500B-2F.

Specification for Motor

Model	PE200	PE500	
Dimension(L*W*H)	440x110x180	522x130x200	mm
Rated Output Power	0.75	1.5	KW
Rated Speed	2,500	2000	RPM
Rated Torque	2.86	7.2	Nm
Power supply	1N ~ AC200-240		V
Power frequency	50/60		Hz
Power current	6.5	13	A
Ambient temperature	-10 ~ +40 ¹⁾		°C
Storage temperature	-25 ~ +55		°C
Ambient humidity	30%-85%, No condensation		
IP degree	IP54		
Limit Mode	Absolute Encoder, Proximity switch		
Self Locking Mode	Electro Mechanical Brake		
Manual Release	Handle		
Weight(net)	10.2 ²⁾	17 ³⁾	Kg

1)When using a temperature range of -20~-10°C and +40~+50°C use half of rated power output.

2)Weight includes RV50 reducer.

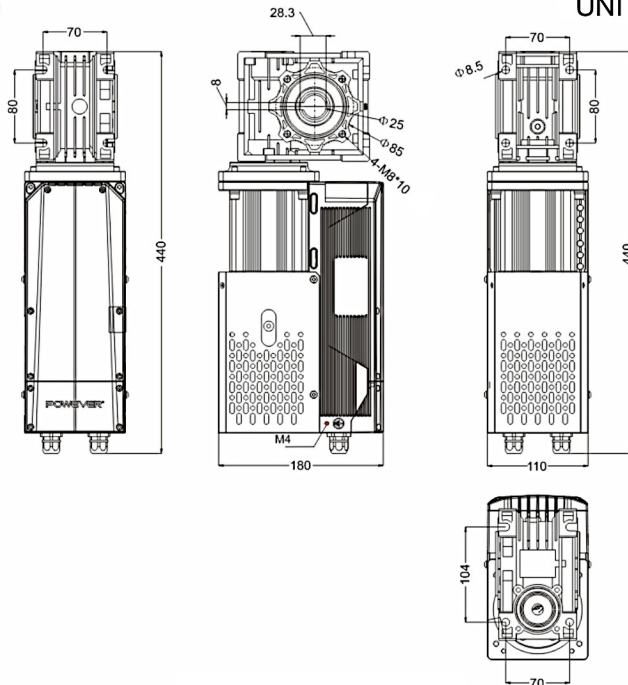
3)Weight includes RV63 reducer.

High Speed Door Servo Control System

High Speed Door Servo Control System

Size

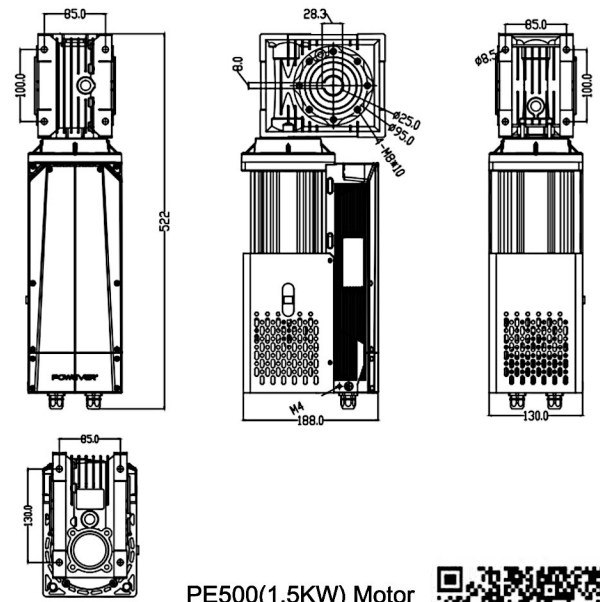
UNIT: mm



PE200(0.75KW) Motor

Size

UNIT: mm



PE500(1.5KW) Motor

